

# Salamander Broiler

## Wall Mount Kit Installation Instructions

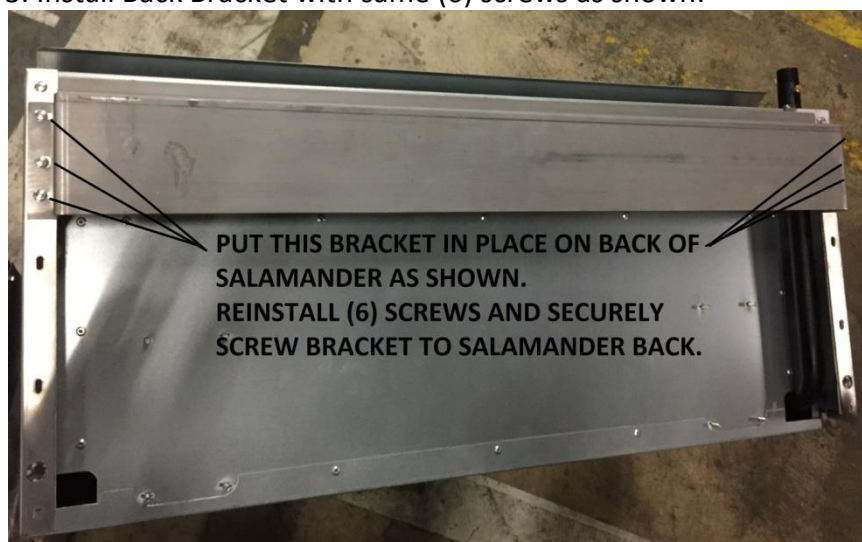
1. Open Kit packaging and examine contents to make sure all components are there.



2. Put Salamander Broiler on floor or table and remove (6) sheet metal screws as shown.



3. Install Back Bracket with same (6) screws as shown:



4. Install (2) back leveling bolts as shown below:



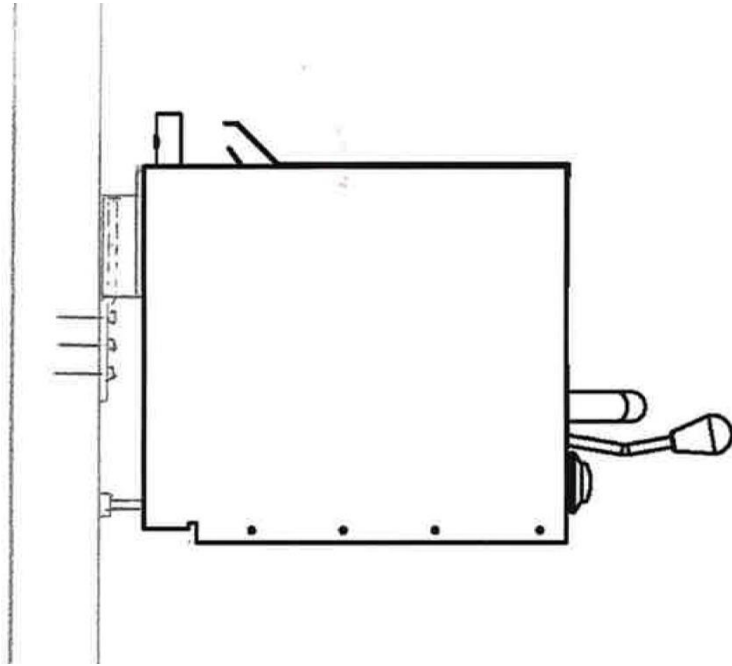
5. Completed Rear Bracket and leveling bolt installation below. Ready for mounting on wall plate.



6. Wall mounting plate must be securely mounted and level at desired height, using (6) bolts or fasteners to be supplied by installer. Drill holes in mounting plate to match beam locations. Bolts must be secured to beam and wall and bolts must be rated to hold total load of 300 lbs. See below:



7. After Wall Mounting Plate is secured to wall, lift Salamander (2 people needed) and lower on to wall mounting plate. Plate will extend 2" up in to rear bracket of Salamander. Adjust left and right back leveling bolts to make Salamander plumb and level with wall so drawer is horizontal and level. See drawing below.



8. Connect regulator and connect to gas line.

End of installation.